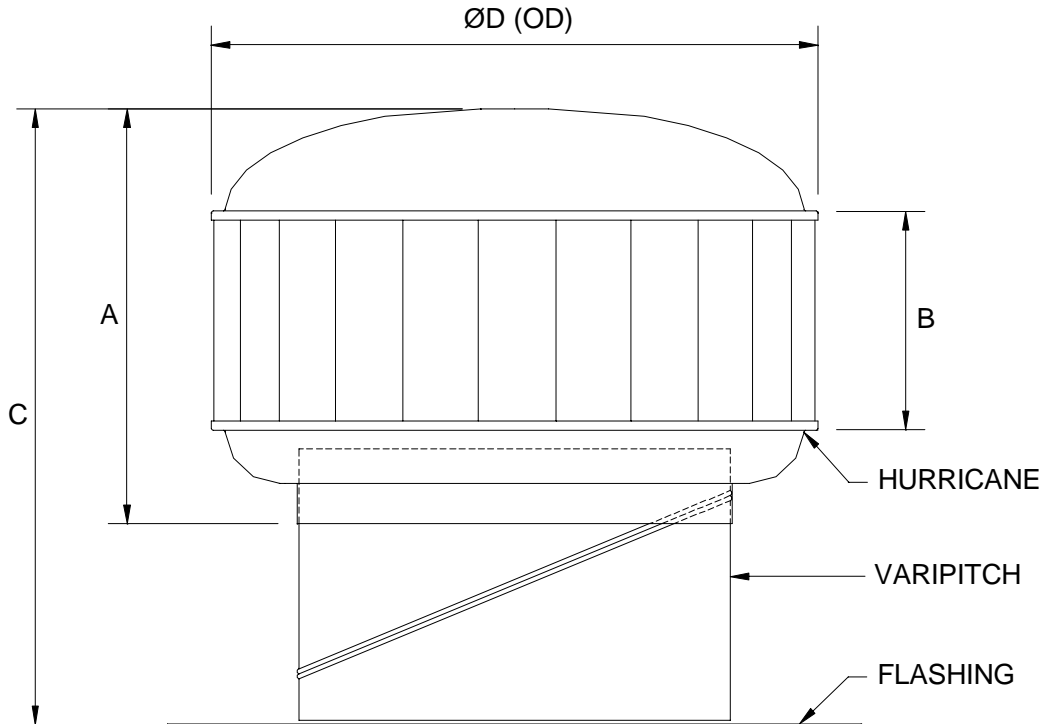


HURRICANE, VARIPITCH & FLASHING

DATE: 13 April 1999

REVISED: 4 February 2005



DIMENSIONS:

MODEL	A (mm)	B (mm)	C (mm)	ØD (mm)	Throat Area (m ²)	Weight (kg)
H100	253	100	313	290	0.009	1.8
H150	283	125	363	332	0.019	2.4
H300	364	175	480	477	0.075	4.9
H400	389	205	564	561	0.132	6.3
H450	419	230	634	648	0.168	8.1
H500	459	265	700	702	0.205	9.2
H600	484	275	724	766	0.285	11.8
H700	556	320	796	876	0.390	15.8
H800	580	345	848	1003	0.501	20.6
H900	643	400	936	1096	0.632	24.1

Tolerances: Size +/- 2mm
Weight +/- 0.1kg

NOTE

The Hurricane throat overlaps the Varipitch. The height listed above is with the maximum overlap (lowest overall height). Revolving the Varipitch to suit a roof slope also reduces its height.