



# MAESTRO

## Product Description

A DC or solar powered ventilator that provides roof space ventilation.

## Applications

Roof Space ventilation for houses and sheds with metal or tiled roofs.

## Benefits

Removing warm / stale air and moisture from roof space or sheds. AC version is thermostatically controlled to work when required, irrespective of wind speed, Solar version has own roof mounted solar panel.

## SKU Table

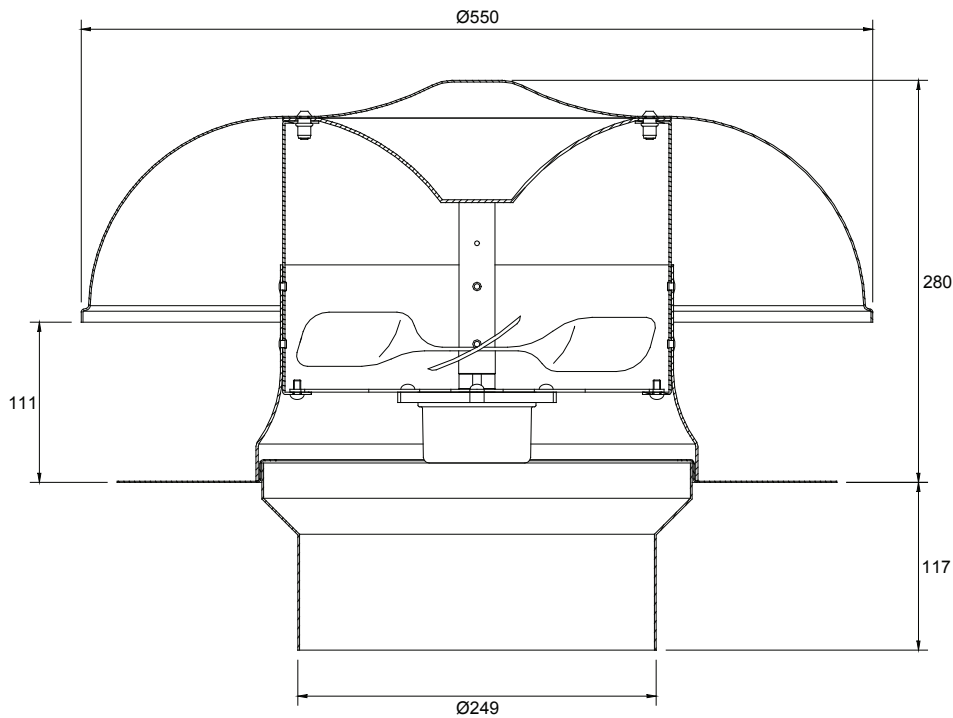
Throat Diameter [mm]	Colour	Product Number
300	Mill	61340
300	Brown	61341
300	Surfmist	61342
300	Night Sky	61343
300	Headland	61344
300	Manor Red	61345
300	Pale Eucalypt	61346
300	Cottage Green	61347
300	Woodland Grey	61348
300	Paperbark	61349
300	Dune	61350
300	Shale Grey	61351
300	Clay Pot	61352
300	Deep Ocean	61353
300	Jasper	61354
300	Bushland	61355
300	Ironstone	61356

**Note:** Not all products available as stock items. Contact your Bradford Insulation office for stock availability, minimum order quantities and lead times.

# MAESTRO

## Physical Properties

Dome	1200 Aluminium
Bearings	2 single-row ball bearings
Flashing	500x500x0.7mm soft 5005 aluminium
Motor	12v DC Electronic Commutation
Motor Rating (A)	1
Power Consumption (W)	11
Fan Diameter	254mm
Noise Level (dB(A))	63
Power cable length (m)	6
Thermostat Range (°C)	5-60
Weight- Total	3.2kg
Wind Speed Rating	205.2 km/h
Warranty	2 yrs



**Bradford™**  
for smarter environments

**CSR Bradford Insulation**  
55 Stennett Rd, Ingleburn NSW 2565 Australia.

**Telephone** 1300 858 674

**www.edmonds.com.au**

CSR Bradford Insulation is a business division of CSR Building Products Limited ABN 55 008 631 356

The contents of this brochure are copyright protected and may not be reproduced in any form without prior written consent of CSR Bradford Insulation. Recommendations and advice regarding the use of the products described in this brochure are to be taken as a guide only, and are given without liability on the part of the company or its employees. We reserve the right to change product specifications without prior notification, please refer to the Bradford website for the latest version of this document. The purchaser should independently determine the suitability of the product for the intended use and application.