



SUPA VENT

Product Description

A wind driven ventilator made from UV resistant engineering polymers with a vertical vane design.

Benefits

Removing warm / stale air and moisture from roof space or sheds.

Applications

Roof Space ventilation for houses and sheds with metal or tiled roofs.

SKU Table

Throat Diameter [mm]	Colour	Product Number
250	Brown	61167
250	Surfmist	61168
250	Night Sky	61169
250	Headland	61170
250	Manor Red	61171
250	Pale Eucalypt	61172
250	Cottage Green	61173
250	Woodland Grey	61174
250	Paperbark	61175
250	Dune	61176
250	Shale Grey	61177
250	Clay Pot	61178
250	Deep Ocean	61179
250	Jasper	61180
250	Bushland	61181
250	Ironstone	61182

Note: Not all products available as stock items. Contact your Bradford Insulation office for stock availability, minimum order quantities and lead times. Standard packaging is a polythene bag. Nominal density 32kg/m³.

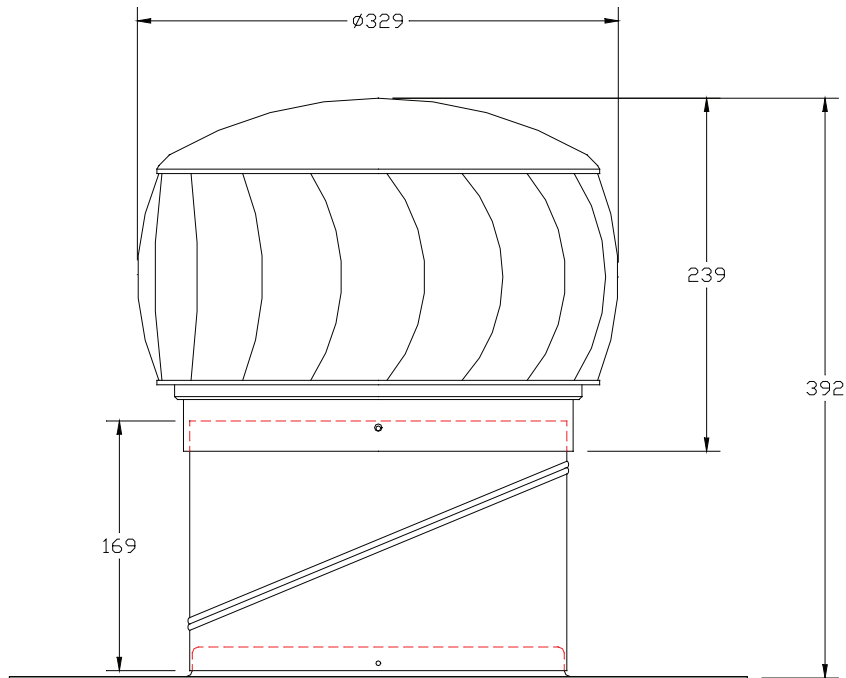
Physical Properties

Turbine	ASA Plastic
Dome	ASA Plastic
Bearings	twin 608ZZ ball bearings (440 stainless steel)
Shaft	Aluminium
Internal Support Ring/Brackets/Housings	Polycarbonate
Varipitch	5005 Aluminium
Flashing	500x500x0.7mm soft 5005 aluminium
Weight- Top	1.2kg
Weight- Varipitch	0.3kg

SUPA VENT

Physical Properties cont.

Weight- Flashing	0.4kg
Weight- Total	1.9kg
Wind Speed Rating	205.2 km/h
Warranty	15 yrs



SUPA VENT – DATA SHEET

Bradford™
for smarter environments

CSR Bradford Insulation
55 Stennett Rd, Ingleburn NSW 2565 Australia.

Telephone 1300 858 674

www.edmonds.com.au

CSR Bradford Insulation is a business division of CSR Building Products Limited ABN 55 008 631 356

The contents of this brochure are copyright protected and may not be reproduced in any form without prior written consent of CSR Bradford Insulation. Recommendations and advice regarding the use of the products described in this brochure are to be taken as a guide only, and are given without liability on the part of the company or its employees. We reserve the right to change product specifications without prior notification, please refer to the Bradford website for the latest version of this document. The purchaser should independently determine the suitability of the product for the intended use and application.